

Marine Hydraulic Steering Hoses and Fittings

Distributed by MARINE SPECIALTIES
www.marinespecialties.biz

Hose

MSH - Marine Steering Hose 1000 psi working pressure Low volumetric expansion



Construction: Elastomeric core tube, fiber braid reinforcement, abrasion-resistant urethane cover. Black, non-perforated cover is standard. All layers bonded for optimum kink resistance and flexibility.

Applications: Marine steering hose for flexibility, low volumetric expansion for rapid, accurate hydraulic response.

Temperature Range: -40F to +200F (-40C to +93C) except limited to +160F (+70C) for synthetic hydraulic fluids and water-based fluids.

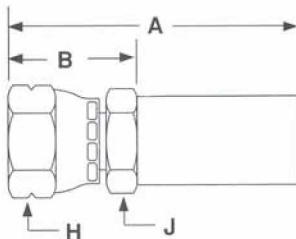
Couplings: MS series, swaged, crimped or reusable.

Part Number	ID ins	Max OD ins	Max Working Pressure psi	Min Burst Pressure psi	Min Bend Radius ins	Max Vol Expansion @ WP cc/ft	Weight lbs/100ft
MSH-5	5/16	.48	1000	4000	2 1/4	1.2	4.9
MSH-6	3/8	.59	1000	4000	3	1.2	7.2

Change in length at working pressure is ± 2% maximum.

MS Series Fittings

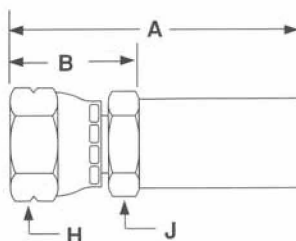
208MS SAE 45° Swivel (Brass)



MS Series Reusable

Part Number	Hose ID	Tube OD	Thread Size	"A"	Cut-Off Allow. "B"	"H" Hex	"J" Hex
208MS-6-5B	5/16	3/8	5/8-18	1.93	1	5/8	13/16
208MS-6-6B	3/8	3/8	5/8-18	2.12	1	3/4	13/16

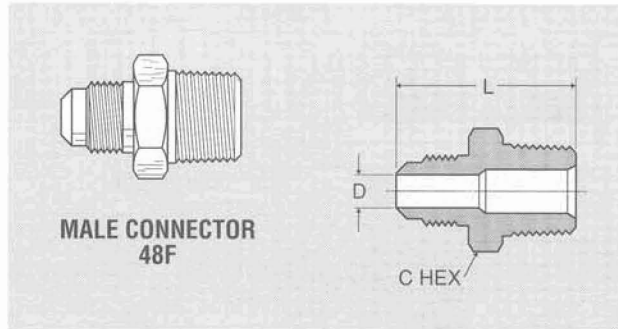
108MS SAE 45° Swivel (Brass)



MS Series Permanent

Part Number	Hose ID	Tube OD	Thread Size	"A"	Cut-Off Allow. "B"	"H" Hex	"J" Hex	Pusher No
108MS-6-5B	5/16	3/8	5/8-18	1.68	1	5/8	13/16	PUF 027
108MS-6-6B	3/8	3/8	5/8-18	1.68	1	3/4	13/16	PUF 027

Parker SAE 45° Flared Fittings

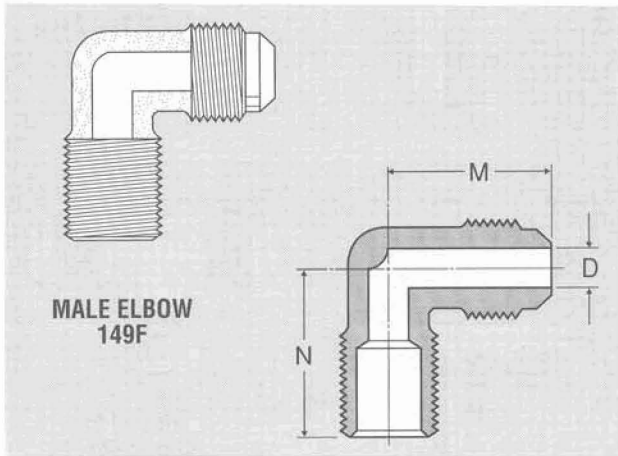


**MALE CONNECTOR
48F**

Male connector 48F

Ref. SAE 010102 *Thread Protectors

PART NO.	TUBE SIZE	PIPE THREAD	STRAIGHT THREAD	C HEX	L	FLOW DIA. D
48F-6-4	3/8	1/4	5/8-18	5/8	1.42	.282
48F-6-6	3/8	3/8	5/8-18	11/16	1.42	.282

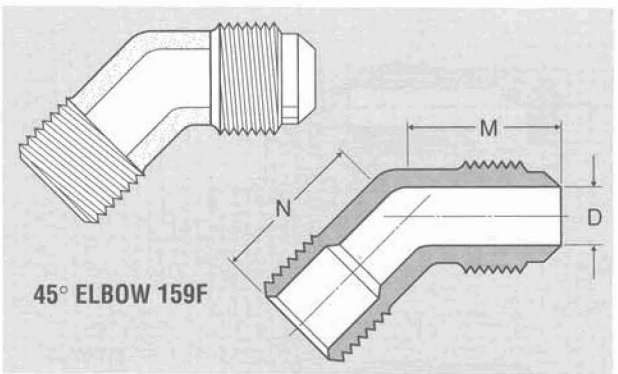


**MALE ELBOW
149F**

Male elbow 149F-249F

Ref. SAE 010202 *Thread Protectors

PART NO.	TUBE SIZE	PIPE THREAD	STRAIGHT THREAD	M	N	FLOW DIA. D
149F-6-4	3/8	1/4	5/8-18	1.01	1.05	.283
249F-6-4	3/8	1/4	5/8-18	.98	1.04	.283
149F-6-6	3/8	3/8	5/8-18	1.04	1.07	.281
249F-6-6	3/8	3/8	5/8-18	1.04	1.07	.283



45° ELBOW 159F

45° elbow 159F

Ref. SAE 010302 *Thread Protectors

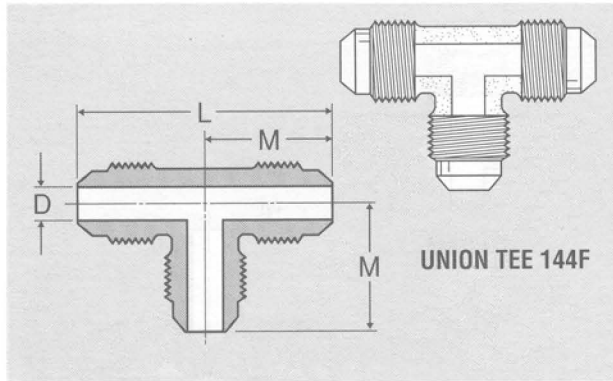
PART NO.	TUBE SIZE	PIPE THREAD	STRAIGHT THREAD	M	N	FLOW DIA. D
159F-6-4	3/8	1/4	5/8-18	.89	.86	.283
159F-6-6	3/8	3/8	5/8-18	.91	.93	.283

The World Standard

Parker
FluidConnectors

Parker Brass Products Division
Parker Hannifin Corporation
Otsego, Michigan

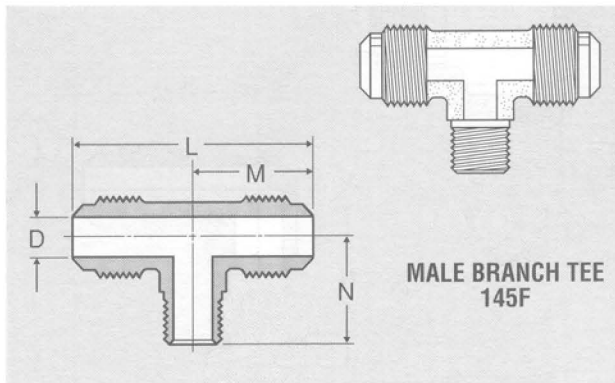
Parker SAE 45° Flared Fittings



Union tee 144F-244F

Ref. SAE 010401

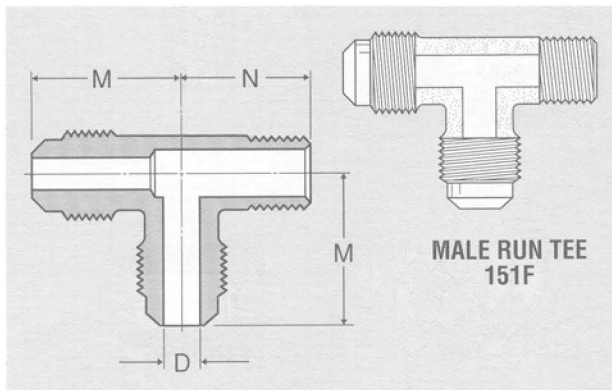
PART NO.	TUBE SIZE	STRAIGHT THREAD	L	M	FLOW DIA. D
144F-6	3/8	5/8-18	2.08	1.04	.283



Male branch tee 145F

Ref. SAE 010425

PART NO.	TUBE SIZE	PIPE THREAD	STRAIGHT THREAD	L	M	N	FLOW DIA. D
145F-6-4	3/8	1/4	5/8-18	1.96	.98	1.05	.281
145F-6-6	3/8	3/8	5/8-18	2.00	1.00	.98	.283



Male run tee 151F

Ref. SAE 010424

PART NO.	TUBE SIZE	PIPE THREAD	STRAIGHT THREAD	M	N	FLOW DIA. D
151F-6-4	3/8	1/4	5/8-18	1.04	1.04	.283
151F-6-6	3/8	3/8	5/8-18	.98	1.00	.283