

Model 7176 Controller Satellite



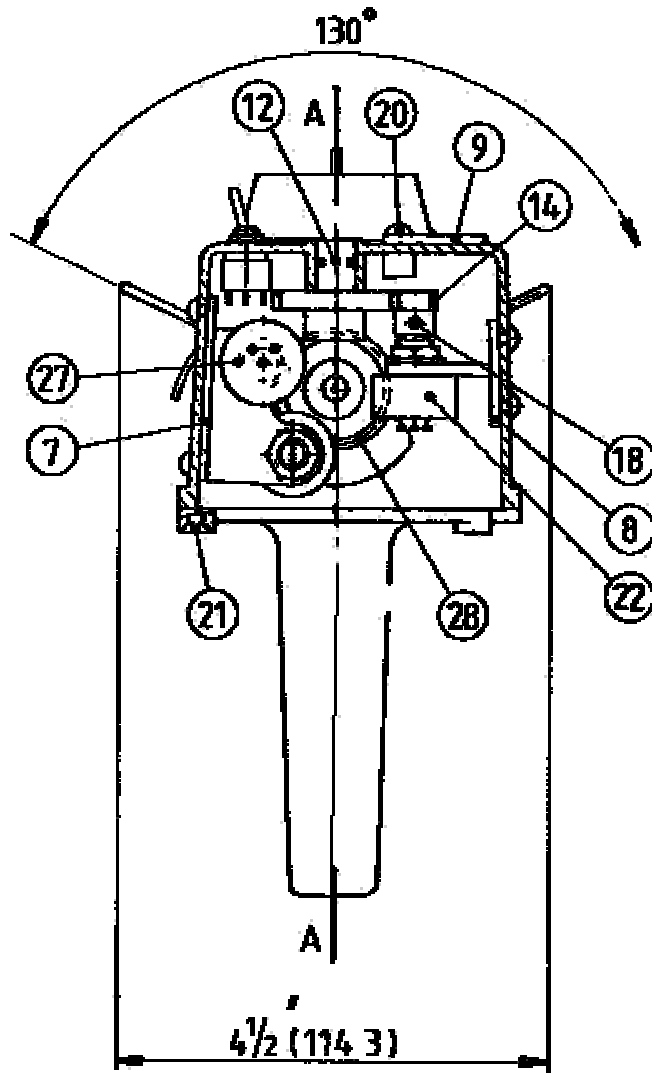
This control device is intended to control one or two main engines. The 7176 model also provides finger-tip control over rudder. This control device can be equipped with either two indicator lights, two push buttons or toggle switches to select various propulsion modes, steering modes as well as incorporating a bow thrust.

The 7176 Controller is constructed entirely in bronze and stainless steel. It is very light in weight and a provision for a shoulder strap is made so that the unit can be worn around the neck like a camera. The 7176 controller is also totally sealed to avoid moisture entering the unit.

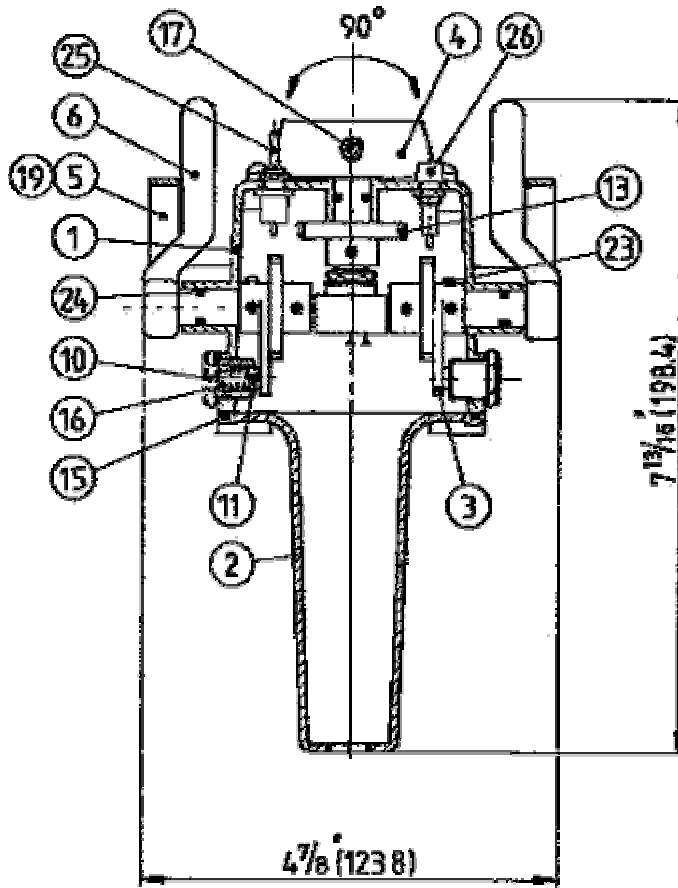
A special print circuit board is required in order to make the 7176 integrate with our main microprocessor. This circuit board is housed in our regular 7173 housing unit (7171) and the signals from the 7176 unit must pass through the 7177 unit to make the system operative.

Dimensions and Parts

Side View



Front View



SECTION A-A

ALL DIMENSIONS IN INCHES (MM)

ITEM	QUANTITY	PART NUMBER	DESCRIPTION
1	1	7176-0001	Housing
2	1	7176-0002	Handle
3	2	7176-0003	Detent Cam
4	1	7176-0004	Steering Knob
5	2	7176-0005	Scale (Side)
6	2	7176-0006	Lever
7	1	7176-0007	Pot Bracket
8	1	7176-0008	Upper Pot Bracket
9	1	7176-0009	Scale (Top)
10	2	7176-0010	Detent Housing
11	2	2012-0007	Detent
12	1	7176-0012	Shaft (Top)
13	1	7176-0013	Spur Gear
14	3	7176-0014	Pinion

Model 7176 Controller Satellite

15	1	7176-0015	“O” Ring
16	2	1201-0004	Spring
17	1	1016-1004	Hex. Socket Set Screw
18	8	1016-0602	Hex. Socket Set Screw
19	4	1012-0806	Round Hd. Philip M. Screw
20	7	1006-0604	Pan Head M. Screw
21	4	1005-0808	Oval Head M. Screw
22	1	6639S-102	Potentiometer – 1K
23	2	1024-0510	Spring Pin
24	3	1101-0010	“O” Ring
25	*1		Switch
26	*1		Light
27	2	6639S-1-502	Potentiometer – 5K
28	2	7176-0028	Spur Gear

* Quantity may vary.