

Model 7170 Jog Lever



This Jog lever is used in power hydraulic steering systems. The operator can maneuver the boat by simply jogging the lever for port or starboard movement.

The unit is operated by two internal microswitches. Its watertight construction in bronze and stainless steel will ensure years of trouble free operation.

The jog lever will override the steering wheel, however it will not cause any interference should the power hydraulics fail.

Various finishes are available and the unit can be ordered with the cable running straight out or down. The cable configuration can easily be changed in the field.

Ordering Information

Model Designations:

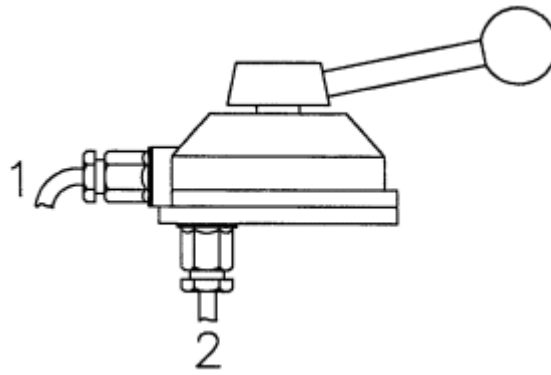
A	Black epoxy base with chrome hub	1	Cable leading straight out
B	All black epoxy	2	Cable leading down
C	All chrome		
D	All polished bronze		

Example

Model 7170 with black epoxy base, chrome hub and the cable leading straight out.

Ordering number: 7170-A1

Model 7170 Jog Lever



Weight

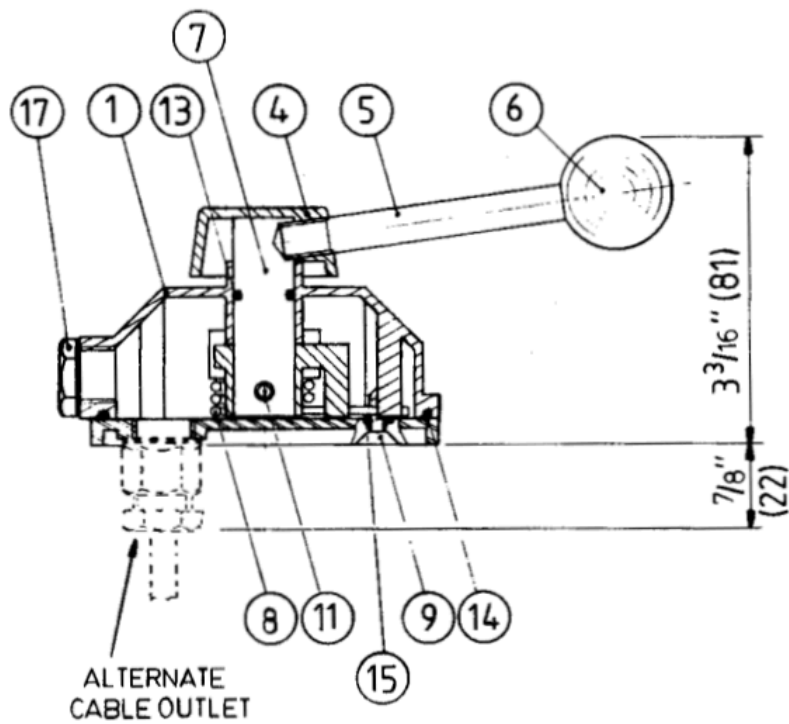
2.1 lbs. (0-95 kg)

Materials

Die cast silicone bronze and stainless steel hardware

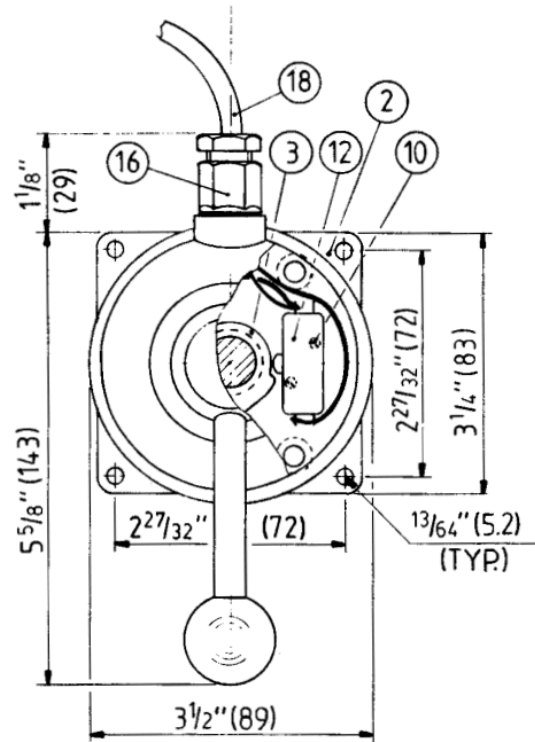
Dimensions and Parts

Side View



Model 7170 Jog Lever

Top View



ALL DIMENSIONS IN INCHES (MM)

ITEM	QUANTITY	PART NUMBER	DESCRIPTION
1	1	7170 - 0001	Housing
2	1	7170 - 0002	Base
3	1	7170 - 0003	Cam
4	1	7170 - 0004	Hub
5	1	7170 - 0005	Handle Shaft
6	1	2030 - 0011	Knob
7	1	7170 - 0006	Shaft
8	1	1203 - 0008	Spring
9	4	1009 - 0806	Flat Head Screw
10	4	1004 - 0410	Round Head Screw
11	1	1024 - 0812	Springpin
12	2	6001 - 0104	Microswitch
13	1	1101 - 0014	"O" Ring
14	1	1101 - 0042	"O" Ring
15	4	1101 - 0008	"O" Ring
16	1	6001 - 0248	Cable Gland With Washer
17	1	6001 - 0064	Plug With Washer
18	1	6001 - 1803	Cable