

Model 7050 2" I.D. Steering Cylinder



The engineering features and simple design make this a very durable cylinder. All materials used are non corrosive. Normally the cylinders are supplied with medium duty neoprene seals which require minimum friction (Pleasure craft). Heavy duty urethane seals are available for maximum seal life however they provide more friction.

Ordering Information

Model Designations:

B	Balanced cylinder	7.5	With 7.5" stroke
U	Unbalanced cylinder	10	With 10" stroke
X	Medium duty seals	12	With 12" stroke

Example

Balanced steering cylinder with 7.5" stroke. The ordering number is 7050-B7.5

Note

Other strokes available upon request

Weight

12.6 lbs. (5.7 kg) 7.5" stroke

14 lbs. (6.3 kg) 10" stroke

15 lbs. (6.8kg) 12" stroke

Materials

Brass tube and piston. Endcaps and bearings silicon bronze. Piston rod stainless steel and hard chromed

Max. Pressure

1500 P.S.I. (103 bar)

Effective Piston Area

2.69 in.² (17.35 cm²)

Model 7050 2" I.D. Steering Cylinder

Rudder angle (RA) 35°

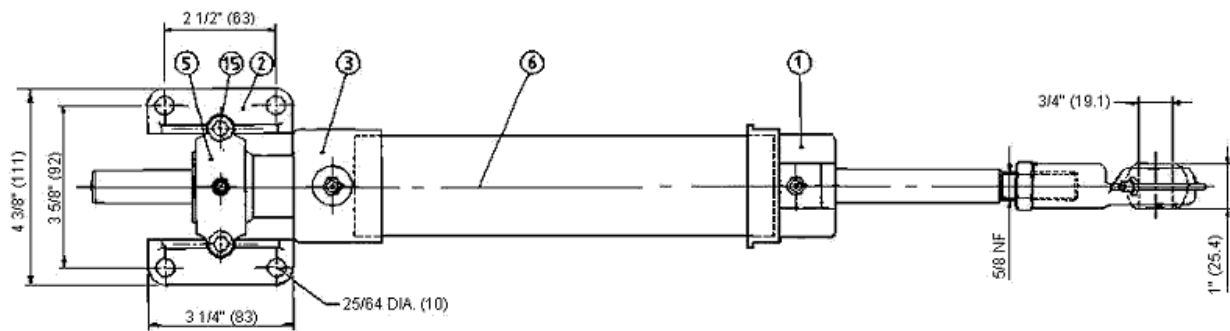
Torque		Stroke		Displacement		A		B		C		D		E	
ft.lbs	kgm.	in.	mm.	in ³	cm ³	in	mm	in	mm	in	mm	in	mm	in	mm
1205	167	7.5	191	20.3	333	3.75	95	23.75	603	6.54	166	5.95	151	20.85	530
1607	223	10	254	27	442	5	127	28.75	730	8.72	221	7.93	201	24.60	701
1928	267	12	305	32.4	531	6	152	32.75	832	10.46	266	9.51	242	27.60	701

Rudder angle (RA) 45°

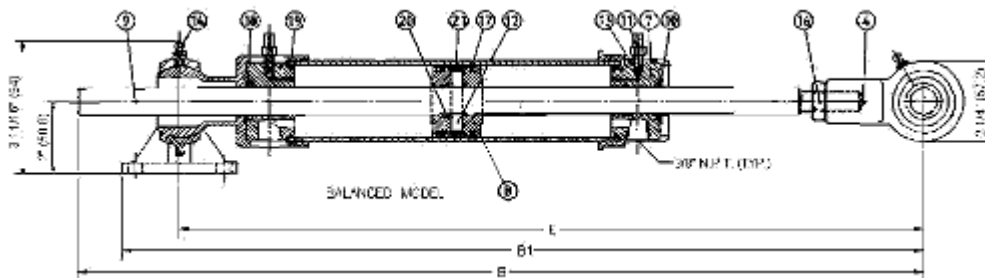
Torque		Stroke		Displacement		A		B		C		D		E	
ft.lbs	kgm.	in.	mm.	in ³	cm ³	in	mm	in	mm	in	mm	in	mm	in	mm
1125	156	10	254	27	442	5	127	28.75	730	7.07	180	6.03	153	24.60	625
1351	187	12	305	32.4	531	6	152	32.75	832	8.49	216	7.25	184	27.60	701

Dimensions and Parts

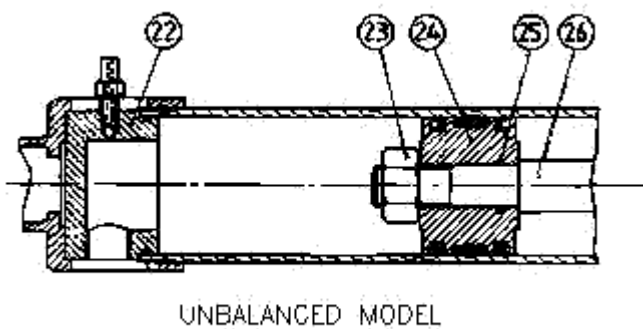
Balanced Model Top View



Balanced Model Cut View



Unbalanced Model



ALL DIMENSIONS IN INCHES (MM)

ITEM	QTY. *	QTY. **	PART NUMBER	DESCRIPTION
1	1	1	7050-0001	End Cap
2	1	1	7050-0002+	Trunnion Foot
3	1	1	7050-0003+	Trunnion End Cap
4	1	1	7050-0004	Rod End

Model 7050 2" I.D. Steering Cylinder

5	1	1	7050-0005+	Trunnion Cap
6	1	1	7050-0006***	Cylinder Tube
7	2	1	7050-0007	Rod Guide
8	1		7050-0008	Piston
9	1		7050-0009***	Piston Rod
10	2	1	7050-0010	Retaining Washer
11	2	2	7050-0011	Bleeder Screw
12	1	1	7050-0012	Pin
13	2	2	1301-0005	Ball
14	2	2	1501-0301	Grease Nipple
15	2	2	1002-1224	Socket Head Screw
16	1	1	1022-0266	Jam Nut
17	2	2	1102-2029	Urethane "U" Cup (Standard)
17	2	2	1102-0029	Neoprene "U" Cup (Option X)
18	2	1	1102-2007	"U" Cup
19	2	2	1101-0133	"O" Ring
20	1		1101-0018	"O" Ring
21	1	1	7050-0013	Wear Ring
22		1	7050-0107	Rear End Cap
23		1	1022-0166	Nut
24		1	7050-0108	Piston
25		1	1101-0016	"O" Ring
28		1	7050-0109***	Piston Rod

- * Balanced cylinder
- ** Unbalanced cylinder
- *** Specify stroke when ordering
- + Must be ordered as a set