

Model 7032 Outboard Motor Front Mount Steering Cylinder



Kobelt Manufacturing with its vast variety of bronze and stainless steel marine control and steering gear components, has been asked on many occasions to manufacture steering gear for outboard motors. These requests came simply because most of the outboard steering devices in the market are made either in aluminum, zinc or plastic and do not seem to stand up to the marine environment too well.

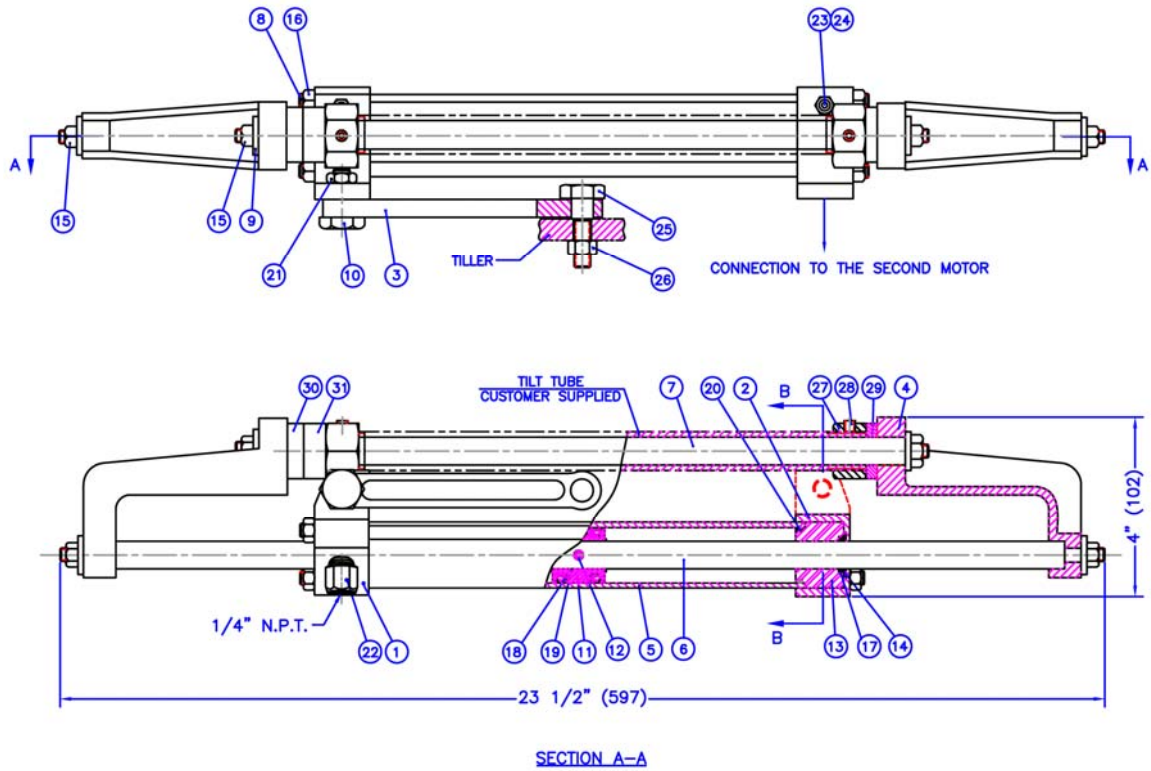
Kobelt Manufacturing took a whole new look at outboard steering devices and developed the new 7032 cylinder which is shorter in length, easier to install and service in the field, and also provides for twin outboard motor configuration with a connection point for a tie bar. This unit will provide years of trouble-free service.

Shown above is model **7032-B** which has a black epoxy finish. It may also be ordered with a natural bronze finish.

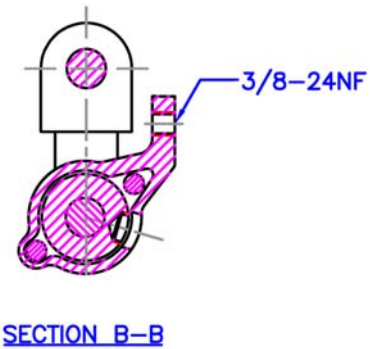
Specifications

Maximum Pressure:	1000 p.s.i. (69bar)
Cylinder I.D.:	1 1/4" (31.8 mm)
Cylinder Stroke:	7 1/2" (190 mm)
Effective Piston Area:	0.921 in. ² (4.9 cm ²)
Displacement:	6.9 in. ³ (113 cm ³)
Pipe Port Size:	1/4" NPT
Weight:	11 lb. (5 kg)

Dimensions and Parts



ITEM	QTY.	PART #	DESCRIPTION
1	1	7032-0001	End Cap (Left)
2	1	7032-0002	End Cap (Right)
3	1	7032-0003	Drag Link
4	2	7032-0004	Link Arm
4**	2	7032-0004L	Link Arm (Long)
5	1	7032-0005	Tube
6	1	7032-0006	Piston Rod
7	1	7032-0007	Shaft
8	2	7032-0008	Tie Rod
9	4	7032-0009	Washer
10	1	7032-0010	Shoulder Bolt
11	1	7030-0005	Piston
12	1	7040-0012	Pin
13	1	7030-0007L	Shaft Guide (Left)
13	1	7030-0007R	Shaft Guide (Right)
14	2	7032-0015	Retainer
15	4	1022-0312	Lock Nut
16	4	1022-1311	Lock Nut
17	2	1102-3006	U-Cup
18	2	1102-0018	U-Cup
19	1	1101-0016	O-Ring
20	2	1101-0024	O-Ring
21	1	1022-0262	Hex. Jam Nut
22	2	7032-0017	Adapter, 1/4" N.P.T.
23	2	7040-0011	Bleeder Screw
24	2	1301-0005	Ball, 5/32"
25	1	7032-1010	Shoulder Bolt
26	1	1022-0262	Jam Nut, 3/8" NF
27	2	7032-0011	Tilt Tube Nuts, 7/8" NF
28	2	1016-1004	Set Screw, 1/4" NC
29	1	7032-0012	Spacer - 1/4"
30	1	7032-0013	Spacer - 3/8"
31	1	7032-0014	Spacer - 1/2"



** Optional