

Model 7031-BNX Helm Pump



The Kobelt 7031-BNX Helm Pump is constructed totally in bronze and stainless steel except for the bearings, pistons and pintol which are made of hardened and ground steel. Because of this, it can be installed anywhere on the boat. It is a true marine product and is covered by the standard Kobelt warranty.

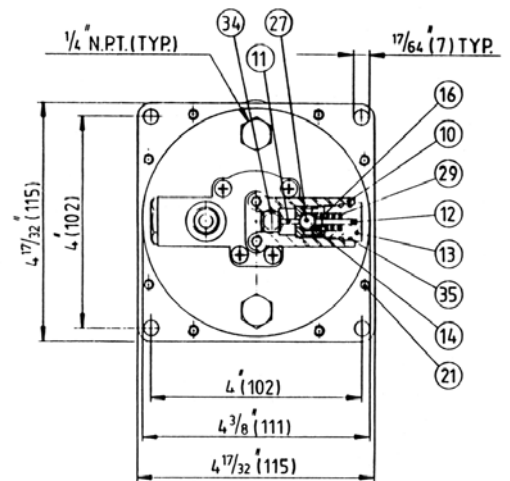
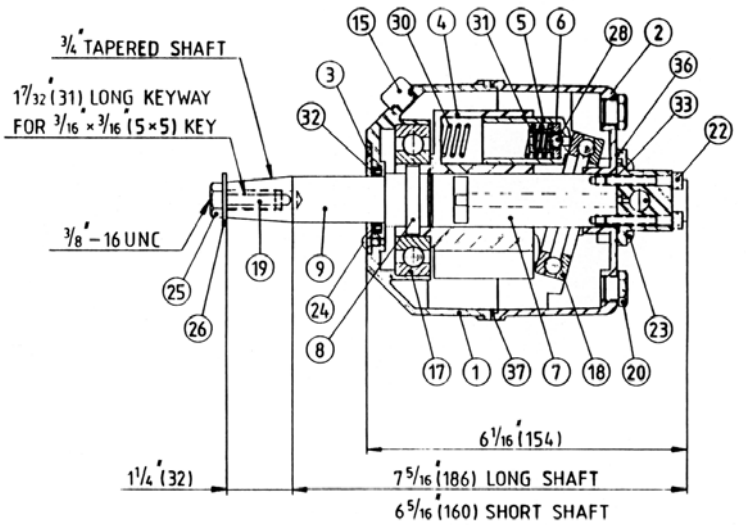
The 7031-BNX Helm Pump is a fixed displacement pump and produces 2.6 cubic inches per turn. It is rated for 2000 psi maximum operating pressure.

It has a black epoxy finish and a short tapered shaft. It may also be ordered with a long tapered shaft.

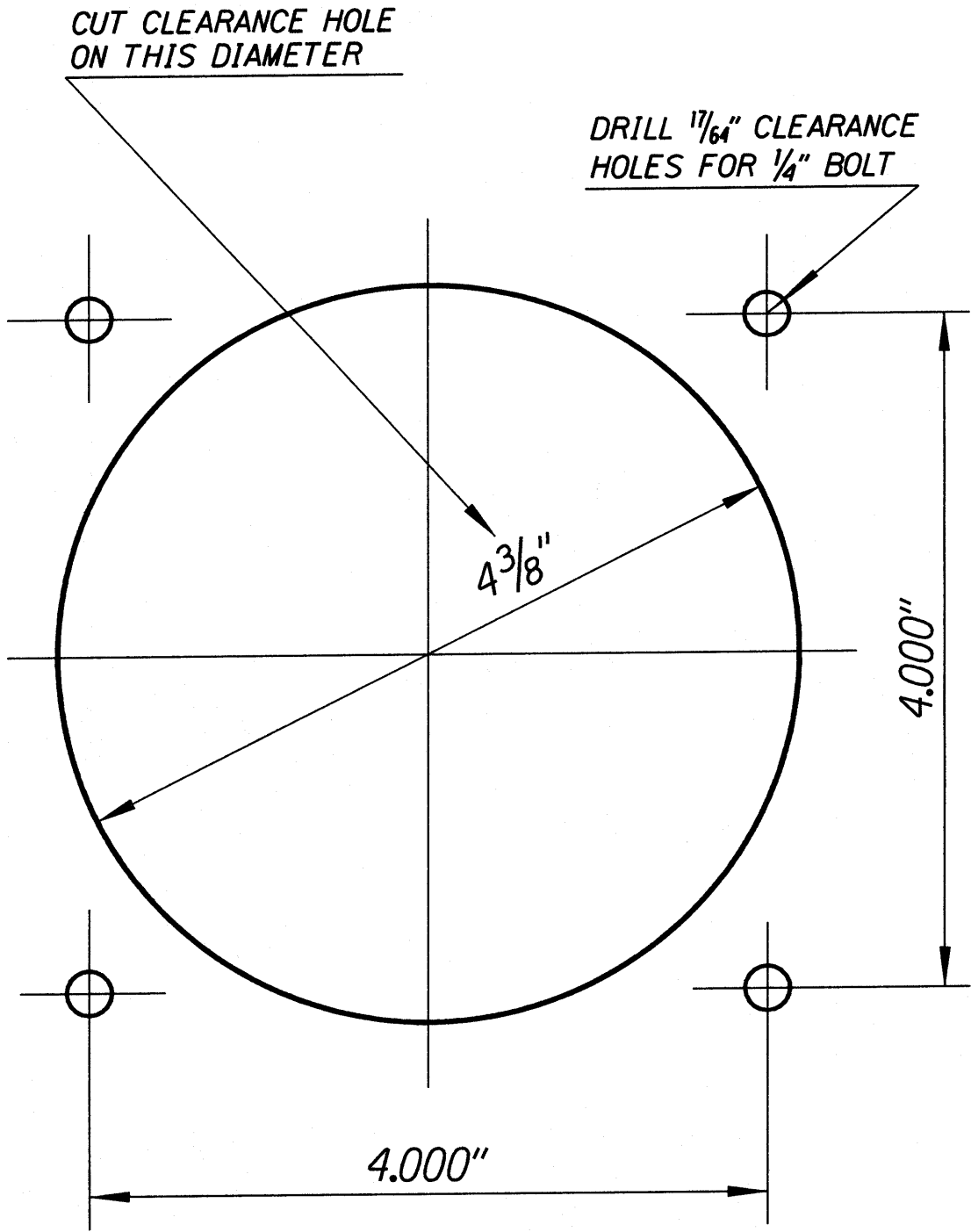
DIMENSIONS AND PARTS LIST MODEL 7031

ITEM	QUANTITY	PART NUMBER	DESCRIPTION
1	1	7031-0001	Front Housing
2	1	7031-0002	Rear Housing
3	1	7031-0003	Seal Retainer
4	1	7031-0004	Rotor
5	5	7031-0005	Piston
6	1	7031-0006	Lock Valve Body
7	1	7031-0007	Pintol
8	1	7031-0008	Pin
9	1*	7031-0009	Shaft (Long)
9	1*	7031-0010	Shaft (Short)
10	5	7031-0011	Ball Retainer
11	1	7031-0014	Shuttle
12	2	7031-0024	Pin
13	2	7003-0025	End Cap
14	2	7003-0026	Ball Seat
15	1*	7003-0028	Filler Plug
15	1*	7003-0029	Vented Filler Plug
16	2	7003-0031	Spring Seat
17	1	7031-7207	Ball Bearing
18	1	7012-51110	Thrust Bearing
19	1	7005-0020	Key
20	2	7005-121B	Hex. Plug
21	8	1012-0806	Round Head Cap Screw
22	2	1002-0824	Hex. Socket Head Cap Screw
23	4	1010-0806	Round Head Philip M. Screw
24	3	1012-0604	Round Head Philip M. Screw
25	1	1001-1216	Hex. Head M. Screw
26	1	1023-0248	Washer
27	2	1301-0110	Ball
28	5	1301-0108	Ball
29	2	1201-0171	Spring
30	5	1201-0189	Spring
31	5	1201-0190	Spring
32	1	1102-2020	"U" Cup
33	2	1101-0008	"O" Ring
34	2	1101-0010	"O" Ring
35	3	1101-0015	"O" Ring
36	1	1101-0026	"O" Ring
37	1	1101-0046	"O" Ring

* Quantity may vary



All DIMENSIONS IN INCHES (MM)



NOTE: for best results use 4 3/8" hole saw

CUT-OUT DIMENSIONS FOR **KOBELT** 7031 HELM PUMP

Scale: 1" = 1"

Drawn by
MARINE SPECIALTIES
 Aiea, Hawaii

MAR2001