



detail of end caps

## Model 7030-1.5 Side Mount Steering Cylinder for Sterndrives and Outboard Motors

The 7030 side mount cylinder is constructed entirely in bronze, brass and stainless steel with a hard chromed piston rod and will provide years of trouble free service.

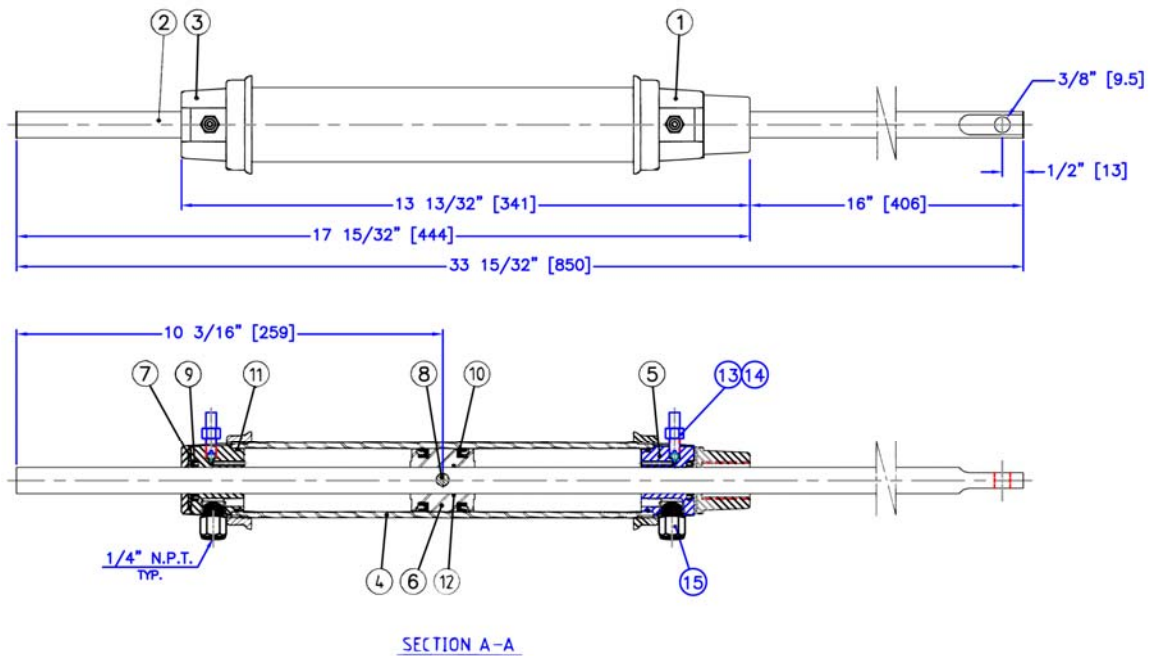
The 7030 Steering Cylinder is intended to be attached to the steering tube which is equipped with 7/8" NF thread. The 7030 cylinder rod passes through the steering tube and is screwed on the 7/8" NF thread then locked in position with a setscrew to prevent it from rotating. The regular link supplied by the sterndrive or outboard motor manufacturer is then attached between the tiller arm and the hole provided at the end of the cylinder rod to steer the sterndrive or outboard motor.

Kobelt Manufacturing also manufactures helm pumps. Ideally, the helm pump for this application is the 7031 which is a fixed displacement pump and provides either 2 or 2.6 cubic inches of fluid volume per turn. If more volume at less turns is required, our 7003, 7004 and 7005 helm pumps can be employed.

### Specifications:

Maximum Pressure:	1500 p.s.i. (103 bar)
Cylinder I.D.:	1 1/2" (38 mm)
Cylinder Stroke:	8" (203 mm)
Effective Piston Area:	1.46 in. <sup>2</sup> (9.41 cm <sup>2</sup> )
Pipeport Size:	1/4" N.P.T.
Volume:	11.7 in <sup>3</sup> (191.7 cm <sup>3</sup> )

## Dimensions and Parts



All dimensions are in inches (mm)

ITEM	QUANTITY	PART #	DESCRIPTION
1	1	7030-0101	End Cap – Mounting
2	1	7030-0103	Piston Rod
3	1	7040-0001	End Cap
4	1	7040-0006	Tube
5	2	7040-0007	Rod Guide
6	1	7040-0008	Piston
7	2	7040-0010	Retaining Washer
8	1	7040-0012	Pin
9	2	1102-3006	U-Cup
10	2	1102-0026	U-Cup
11	2	1101-0125	O-Ring
12	1	1101-0016	O-Ring
13	2	7040-0011	Bleeder Screw
14	2	1301-0005	Ball (5/32")
15	2	7032-0017	Adapter