

**Model 7030 Side Mount  
Steering Cylinder  
For Outboard Motors  
And Sterndrives**



The 7030 side mount cylinder is constructed entirely in bronze, brass and stainless steel with a hard chromed piston rod and will provide years of trouble free service.

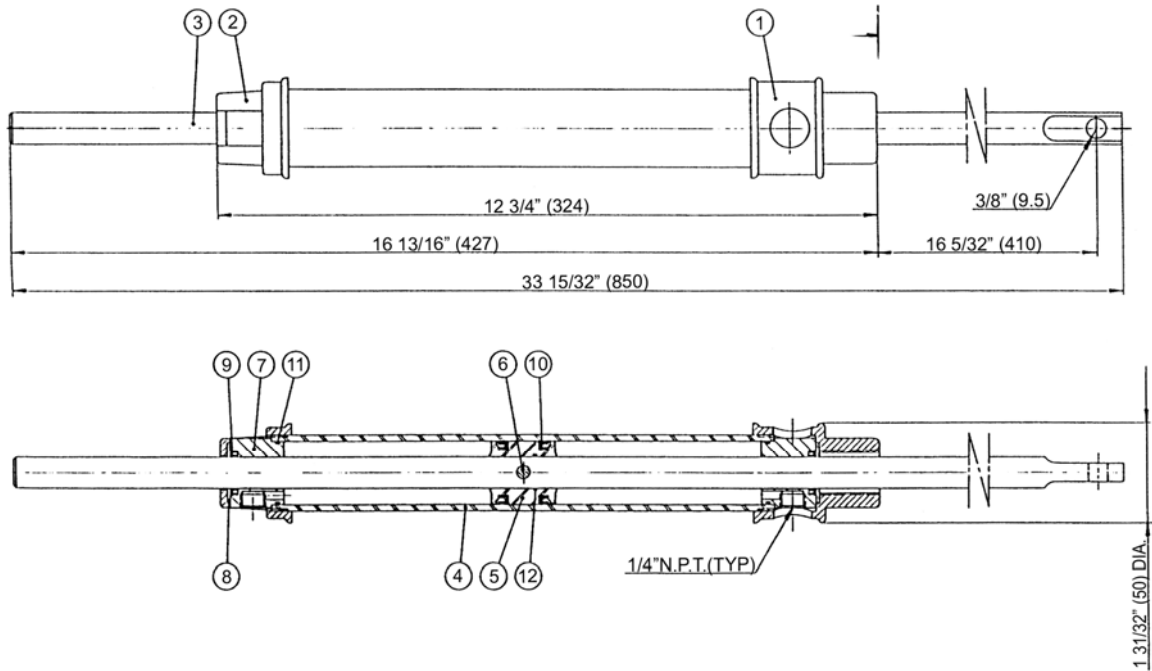
The 7030 Steering Cylinder is intended to be attached to the steering tube which is equipped with 7/8" NF thread. The 7030 cylinder rod passes through the steering tube and is screwed on the 7/8" NF thread then locked in position with a setscrew to prevent it from rotating. The regular link supplied by the sterndrive or outboard motor manufacturer is then attached between the tiller arm and the hole provided at the end of the cylinder rod to steer the sterndrive or outboard motor.

Kobelt Manufacturing also manufactures helm pumps. Ideally, the helm pump for this application is the 7031 which is a fixed displacement pump and provides either 2 or 2.6 cubic inches of fluid volume per turn. If more volume at less turns is required, our 7003, 7004 and 7005 helm pumps can be employed.

**Specifications:**

Maximum Pressure:	1000 p.s.i. (103 bar)
Cylinder I.D.:	1 1/4" (31.8 mm)
Cylinder Stroke:	8" (203 mm)
Effective Piston Area:	.921 in. <sup>2</sup> (5.9 cm <sup>2</sup> )
Pipeport Size:	1/4" N.P.T.
Volume:	7.368 in <sup>3</sup> (120.7 cm <sup>3</sup> )

## Dimensions and Parts



All dimensions in inches (mm)

ITEM	QUANTITY	PART #	DESCRIPTION
1	1	7030-0001	End Cap – Mounting
2	1	7030-0002	End Cap
3	1	7030-0003	Piston Rod
4	1	7030-0004	Tube
5	1	7030-0005	Piston
6	1	7030-0006	Pin
7	1	7030-0007	Shaft Guide
8	2	7030-0008	Retaining Washer
9	2	1102-3006	U-Cup
10	2	1102-0018	U-Cup
11	2	1101-0024	O-Ring
12	1	1101-0016	O-Ring
13*	2	7032-0017	Adapter for port fittings

\*not shown