

**Model 7005-AL, 2-6 in.<sup>3</sup>  
Variable Delivery Helm Pump**



This pump features adjustable volume in a compact design. Adjustment from 2-6 cubic inches per turn is easily accomplished from the outside.

A ball bearing and two thrust bearings provide smooth operation and long life. A lock valve installed on the back of the helm pump prevents rudder feedback and also allows installation of multiple control stations.

This pump has a natural bronze finish with a long straight shaft however it can also be ordered in a black epoxy finish and/or with a long or short tapered shaft.

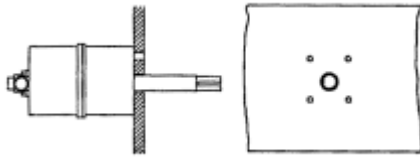
**Ordering Information**

**Model Designations:**

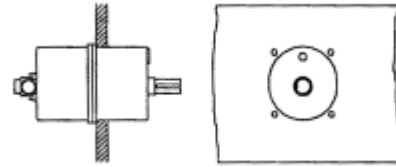
<b>A</b>	With cast bronze finish (Standard)	<b>N</b>	With short shaft (for through console mount)
<b>B</b>	With black epoxy finish	<b>P</b>	With porting block only ( no lock valve)
<b>L</b>	With long shaft (for behind console mount)	<b>T</b>	With tapering shaft

## Model 7005 2-6in3 Variable Delivery Helm Pump

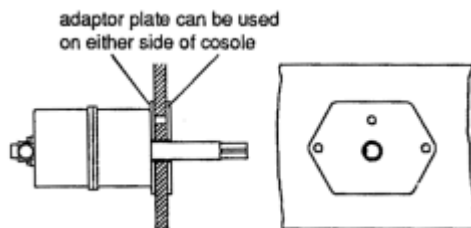
Behind console installation with long shaft



Through console installation with short shaft



Installation with adapter plate



### Note

An adapter plate to simplify installation of the helm pump is available. It can be installed on either side of the console.

### Ordering Numbers

7005-0011A Cast Bronze Finish

7005-0011B Black Epoxy Finish

### Weight

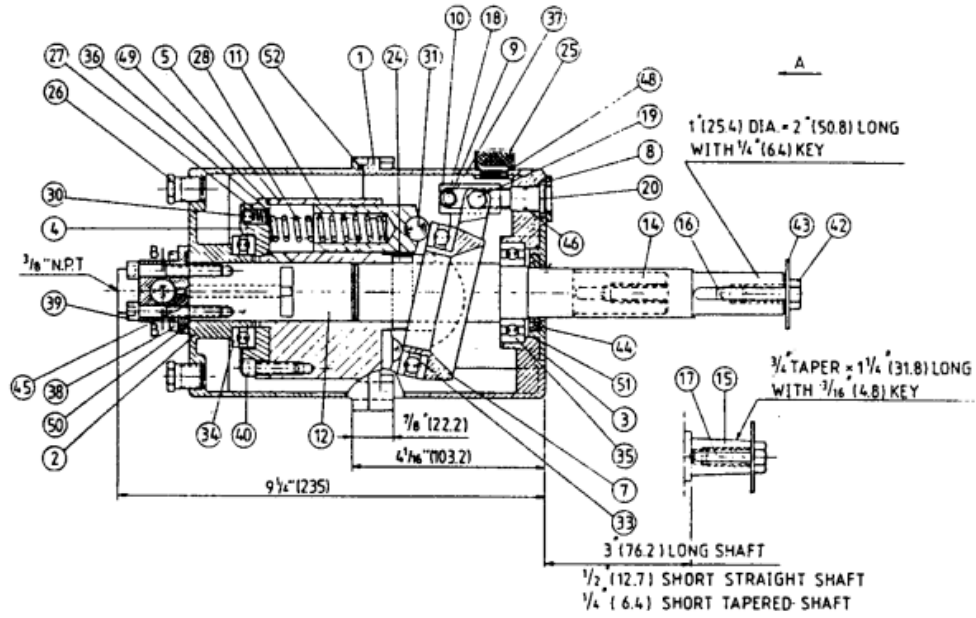
23 lbs. (10.4 kg)

### Materials

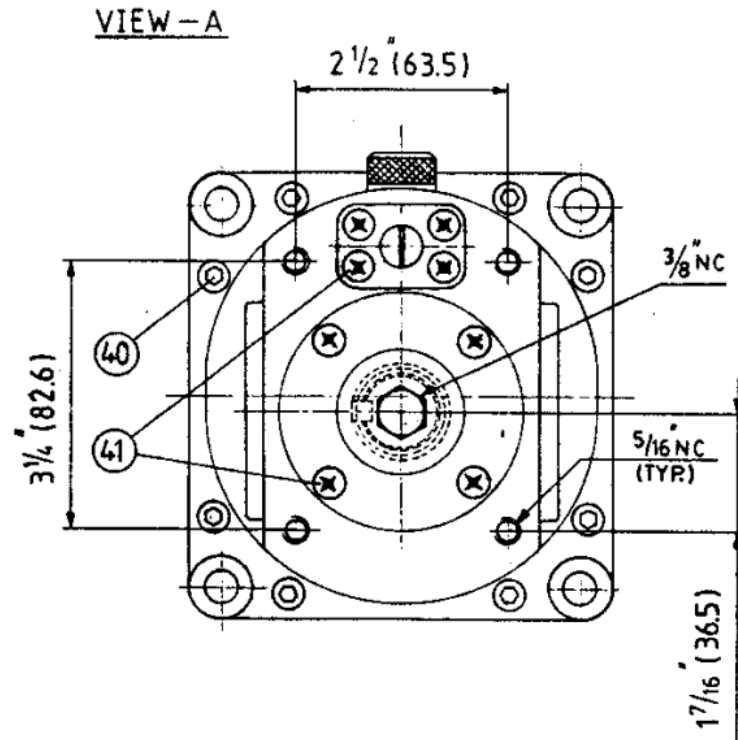
Housing and rotor are die-cast silicon bronze. Pistons and pintol are hardened and ground steel. Pump shaft and hardware are stainless steel.

## Dimensions and Parts

### Side View

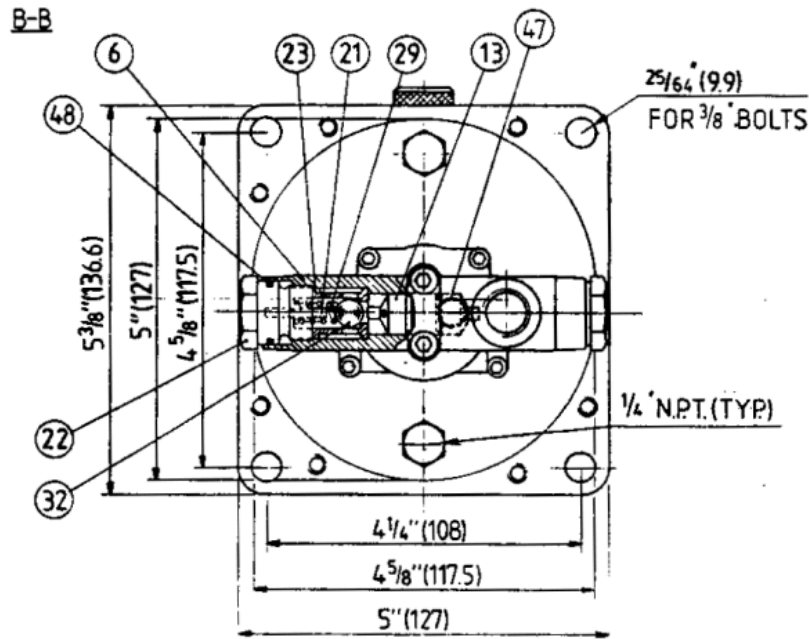


### Front View



Model 7005 2-6in3 Variable Delivery Helm Pump

Back View



ALL DIMENSIONS IN INCHES (MM)

ITEM	QUANTITY	PART NUMBER	DESCRIPTION
1	1	7005-0001	Front Housing
2	1	7005-0002	Rear Housing
3	1	7005-0003	Front Seal Retainer
4	1	7005-0004	Check Valve Housing
5	1	7005-0005	Rotor
6	1	7005-0006	Lock Valve Body
7	1	7005-0007	Thrust Bearing Retainer
8	1	7005-0008	Adjustment Cover Plate
9	2	7005-0009	Link
10	1	7005-0010	Adjusting Block
11	7	7005-0012	Piston
12	1	7005-0013	Pintol
13	1	7005-0014	Shuttle
14	1*	7005-0015	Straight Shaft (Short)
14	1*	7005-0016	Straight Shaft (Long)
15	1*	7005-0017	Tapered Shaft (Short)
15	1*	7005-0018	Tapered Shaft (Long)
16	1*	7005-0019	Key (Straight Shaft)
17	1*	7005-0020	Key (Tapered Shaft)
18	1	7005-0021	Snap Ring Pin
19	2	7005-0022	Shoulder Bolt
20	1	7005-0023	Adjusting Screw
21	2	7005-0024	Pin

Model 7005 2-6in3 Variable Delivery Helm Pump

ITEM	QUANTITY	PART NUMBER	DESCRIPTION
22	2	7005-0025	End Cap
23	2	7005-0026	Ball Seat
24	1	7005-0027	Pin
25	1	7005-0028	Filler Plug
25	1*	7005-0029	Vented Filler Plug
25	1*	7005-0030	Filler Plug With Pipe Thread
26	2	7005-121B	Hex. Plug
27	7	1201-0163	Spring
28	7	1201-0164	Spring
29	2	1201-0165	Spring
30	7	1301-0108	Ball
31	7	1301-0116	Ball
32	2	1301-0112	Ball
33	1	7005-51112	Thrust Bearing
34	1	7005-51108	Thrust Bearing
35	1	7005-6006	Ball Bearing
36	7	1029-6037	Self Locking Retainer Ring
37	2	1029-1025	Snap Ring
38	4	1002-0810	Socket Head Capscrew
39	2	1002-1028	Socket Head Capscrew
40	15	1002-1010	Socket Head Capscrew
41	8	1009-0808	Flat Head Screw
42	1	1001-1216	Hex. Head Screw
43	1	1023-0248	Washer
44	1	7005-11130	Front Seal
45	2	1101-0010	"O" Ring
46	1	1101-0012	"O" Ring
47	2	1101-0011	"O" Ring
48	3	1101-0017	"O" Ring
49	7	1101-0022	"O" Ring
50	1	1101-0029	"O" Ring
51	1	1101-0032	"O" Ring
52	1	1101-0158	"O" Ring

\* Quantity may vary.

7005 Mounting

