

Model 6531 Electronic Actuator



The Actuator is made in bronze and stainless steel. It has a worm wheel drive onto a spur gear drive giving a reduction gear of 200 to 1. The output shaft has a total of 90 degree of rotation and a maximum torque of 150 inch lbs.

What really separates the Kobelt Actuator from other actuators is an electric clutch which disengages upon power failure, allowing the unit to be manually controlled or mechanically remote controlled.

A spring mechanism is available that will return the clutch to neutral and the throttle to idle automatically upon power failure. The Throttle Actuator can be reversed in the field for either left-hand or right-hand rotation. The Clutch Actuator can also be by simply reversing wires that are easily accessible. The main controller can be adjusted to limit the handle travel in either direction to suit either the Model 6531 gearbox or throttle movements.

Features:

This Actuator can be used for controlling

- Reverse gear
- Control valves
- Engine throttles
- CP propellers
- Trolling valves

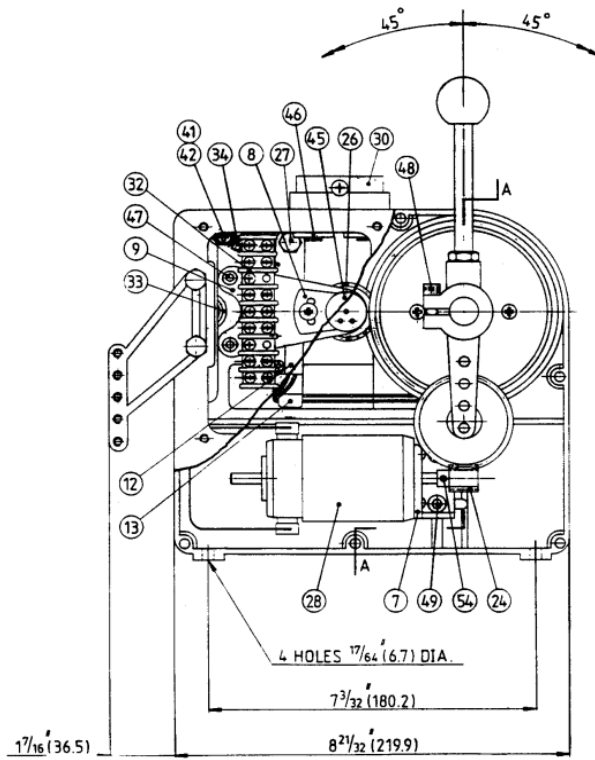
And innumerable other applications, both in the marine industry and industry in general.

Weight:

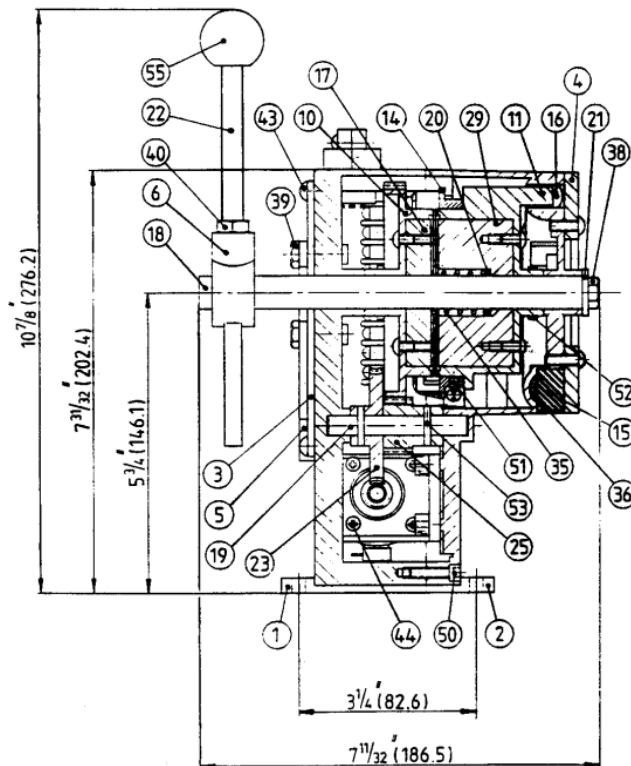
20 lbs. (9 kg)

Dimensions and Parts

Side View



Front View



Model 6531 Electronic Actuator

ALL DIMENSIONS IN INCHES (MM)

ITEM	QUANTITY	PART NUMBER	DESCRIPTION
1	1	6531-0001	Front Housing
2	1	6531-0002	Rear Housing
3	1	6531-0003	Front Cover Plate
4	1	6531-0004	Spring Cover
5	1	6531-0005	Cable Support
6	1	6531-0006	Output Lever
7	1	6531-0007	Motor Mounting Bracket
8	1	6531-0008	Potentiometer Adjusting Bracket
9	1	6531-0009	Potentiometer Support Bracket
10	1	6531-0010	Main Drive Gear
11	1	6531-0011	Coil Housing
12	1	6531-0012	Wire Retainer
13	1	6531-0013	Wire Slack Lever
14	1	6531-0014	Ring Gear
15	1	6531-0015	Spring Stop
16	2	6531-0016	Spring Seat
17	1	6531-0017	Clutch Pulling Plate
18	1	6531-0018	Main Shaft
19	1	6531-0019	Primary Drive Shaft
20	1	1023-0234	Shim
21	1	6531-0021	Washer
22	1	6531-0022	Handle Shaft
23	1	6531-0023	Pinion Gear
24	1	6531-0024	Worm Gear
25	1	6531-0025	Drive Gear
26	1	6531-0026	Potentiometer Drive Gear
27	1	6531-0027	Hex. Shoulder Bolt
28	1	6531-0028	Motor
29	1	6531-0029	Pulling Coil
30	1	6531-0030	Clamp
32	1	6531-0031	Terminal Block
33	1	6531-0032	Gland
34	1	1202-0005	Spring
35	1	1201-0193	Spring
36	1*	1201-0178	Spring (Clutch)
36	1*	1201-0179	Spring (Throttle)
38	1	1001-1108	Hex. Hd. Cap Screw
39	2	1001-1010	Hex. Hd. Cap Screw
40	1	1022-0212	Hex. Nut
41	1	1022-0108	Hex. Jam Nut
42	1	1010-0812	Round Hd. Philip M. Screw

Model 6531 Electronic Actuator

ITEM	QUANTITY	PART NUMBER	DESCRIPTION
43	16	1010-0808	Round Hd. Philip M. Screw
44	8	1012-0606	Pan Hd. Philip M. Screw
45	1	6639-1-502	Potentiometer
46	2	6639-1-102	Potentiometer
47	2	1002-0812	Hex. Socket Hd. Cap Screw
48	1	1002-1014	Hex. Socket Hd. Cap Screw
49	2	1002-1010	Hex. Socket Hd. Cap Screw
50	7	1002-0812	Hex. Socket Hd. Cap Screw
51	2	1016-0804	Hex. Socket Set Screw
52	1	1024-0816	Spring Pin
53	2	1024-0512	Spring Pin
54	1	1024-0406	Spring Pin
55	1*	2030-0011	Knob (Black)
55	1*	2030-0012	Knob (Red)

* Quantity may vary.