

Model 6514 Electronic Control



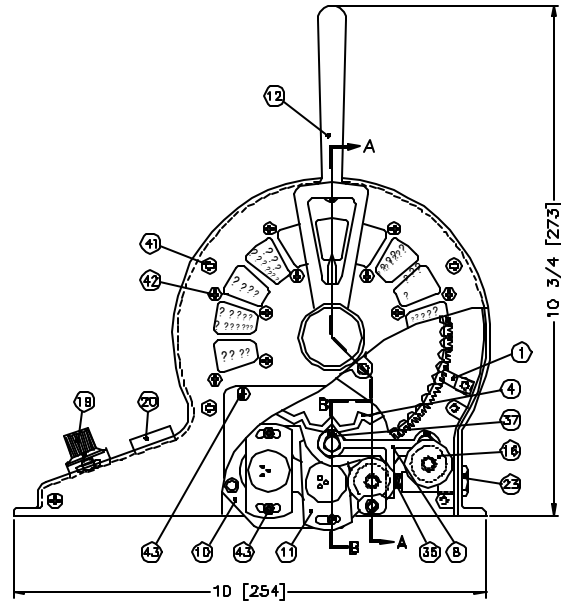
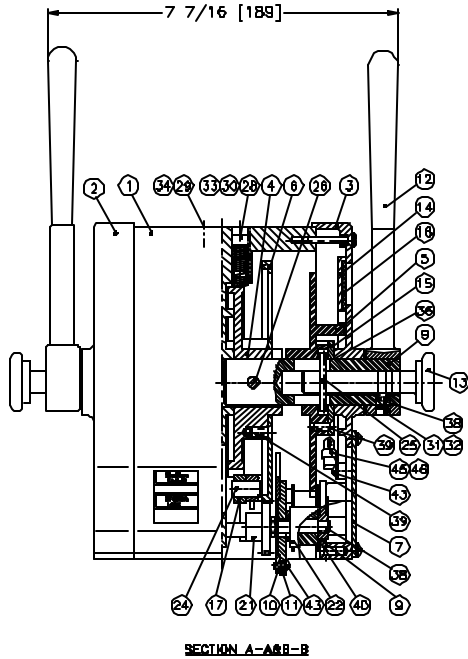
Intended for multiple shipboard applications, this control head has the versatility to be used either strictly as a mechanical control, an electronic control or a combination of both.

The Kobelt 6514 control head provides redundant electronics (dual potentiometers per handle) and is available with selector switches conveniently located on the front face. These selector switches can be used for Station Select, Station Lock, Synchronization, Throttle Override, Trolling Mode or other features depending on the system being controlled. As an illuminated head, a dimmer switch can also be provided as shown in the picture above.

Like other Kobelt products, the 6514 is constructed entirely of sturdy die cast bronze and stainless steel, ensuring years of corrosion-free service. Due to its design, the head is not waterproof and therefore should be used only in locations protected from the environment. The head is available in the following finishes, chrome plated, polished brass, black or white epoxy, and also gold plated upon special request.

Other options such as custom designed handles are available upon request. So do not hesitate to inquire if you have a special requirement.

DIAGRAM AND PARTS LIST MODEL 6514



Item	Qty	Part Number	Description
1	1	6514-0001	Centre Housing
2	1	6514-0002	Left Housing
3	1	6514-0003	Right Housing
4	2	6514-0004	Drive Cam
5	2	6514-0005	Sprocket
6	2	6514-0006	Pot Gear
7	2	6514-0007	Cover Plate
8	2	6514-0008	Friction Holder
9	2	6514-0009	Roller Support Bracket
10	2	6514-0010	Potentiometer Support Bracket
11	4	6514-0011	Potentiometer Bracket
12	2	6514-0012	Handle (Mech. or Elect.)
13	2	6514-0013	Shifting Shaft
14	2	6514-0028	Label Support
15	2	6514-0015	Bracket
16	4	6514-0016	Chain Roller
17	4	6514-0017	Roller
18	1	6514-0018R	Label (Right)
18	1	6514-0018L	Label (Left)
19	1	6511-D	Dimmer
20	3	6511-SW2	Switch
21	4	YPB 3236	Potentiometer Drive Gear
22	4	3543S	Potentiometer

Item	Qty	Part Number	Description
23	2	6514-0023	Hex Hd Bolt
24	4	6514-0024	Roller Shaft
25	2	6514-0025	Pin
26	2	6514-0026	Pin
27	4	6514-0027	Shoulder Bolt
28	1	2545-0012	Detent
29	1	2545-0021	Friction
30	2	1016-1204	Set Screw
31	2	1016-1104	Set Screw
32	2	1201-0002	Spring
33	1	1201-0062	Spring
34	1	1201-0003	Spring
35	2	1201-0198	Spring
36	2	1029-1100	Snap Ring
37	8	1029-1031	Snap Ring
38	2	1301-0008	Ball
39	16	1009-0808	Flat Hd Phillips Cap Screw
40	6	1009-0806	Flat Hd Phillips Cap Screw
41	14	1011-0716	Oval Hd Phillips Cap Screw
42	24	1011-0606	Oval Hd Phillips Cap Screw
43	20	1010-0604	Pan Hd. Phillips Cap Screw
44	4	6511-0019	Light Socket
45	4	6511-0020	Light Bulb