

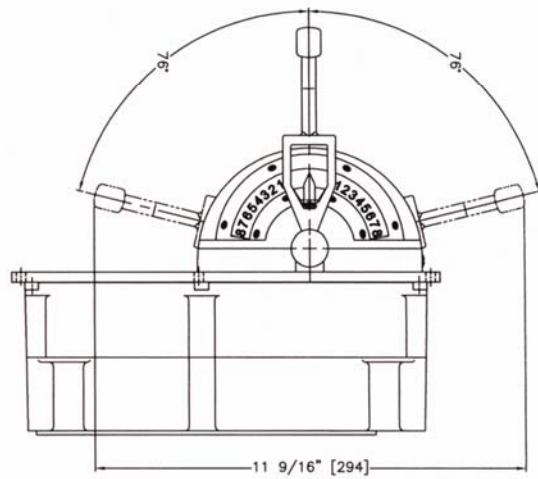
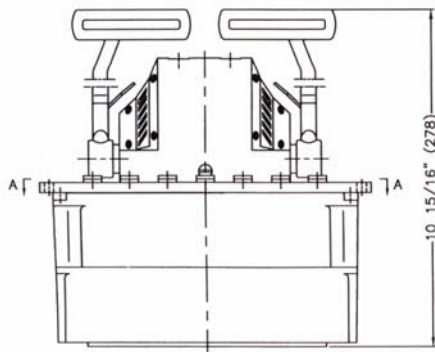
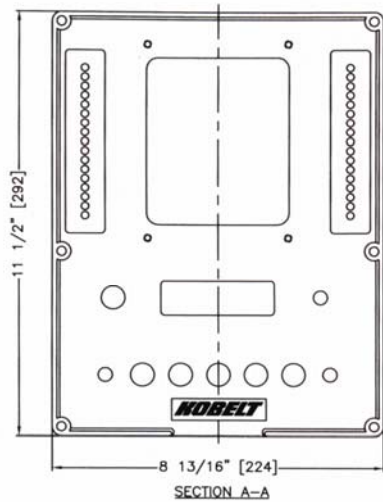
Model 6512 Electronic Control Base



In response to customer requests, we have recently developed a new version of our electronic control head assemble. This base works together with various control heads. The basic control head is a model 6555 which is illuminated on either side of the control head. The LED strips indicate the actual running position of the propulsion machinery. This way the operator can match the control handles to the engine speed and direction before taking over the station. In the middle of the control assemble we have a 4 line digital readout which will provide important information from the propulsion machinery and the control system. A dimmer and lamp test is provided; the switch (6 shown) can be made to customer requirements. We can provide up to 12 buttons for any shipboard function. This control head is intended for indoor use only. The total assembly, complete, can be ordered under part number 6512 – information regarding all customer requirements (options) must be provided when ordering.

The **6512 Control Base** works together with the following control heads:

- 6515**
- 6523**
- 6545**
- 6555**



All dimensions in inches (mm)