



MODEL 6501 ILLUMINATED ELECTRONIC CONTROL HEAD

The 6501 is an illuminated version of the 6505 control head which offers not only compact design but the features of a full size control. Where space and visibility are limited this is the head of choice.

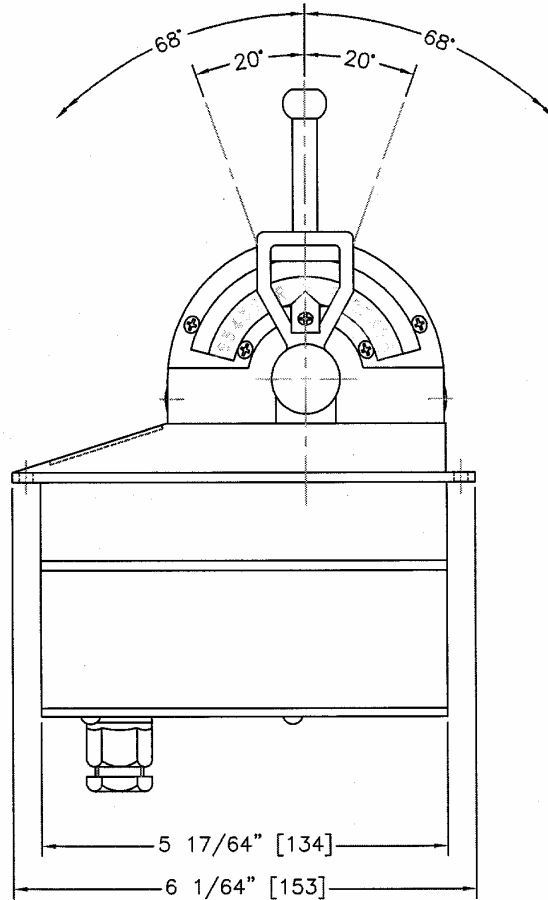
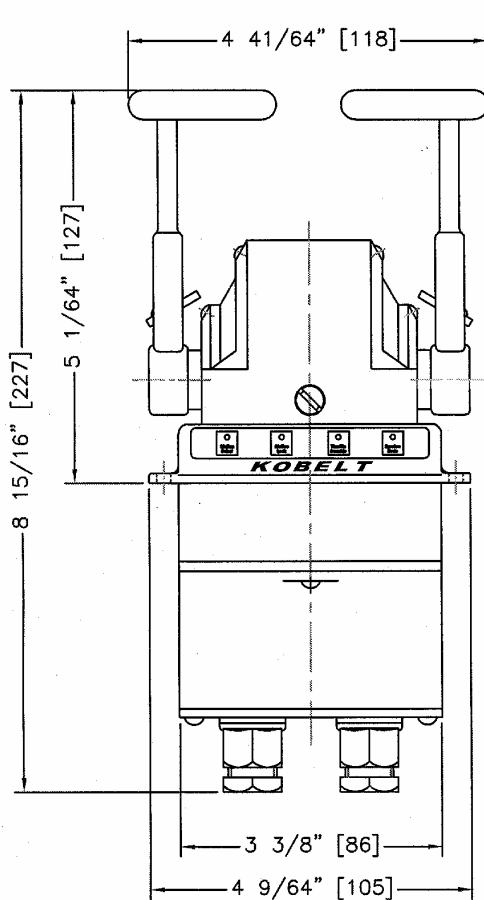
The housing and handles are manufactured of bronze and stainless steel. Finish options include chrome, black or white epoxy paint and polished bronze.

The unit uses a water resistant keypad but is not waterproof. The keypad offers switches for the standard features: Station Select, Station Lock, Throttle Override and Synchronization. Incorporation of the latest electronic technology allows this head to team up with any of the Kobelt control systems.

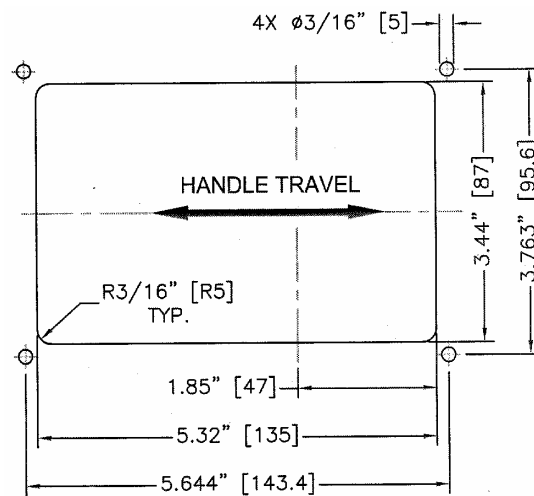
Options available

# Engines:	single or twin
Finish:	chrome or black or white or polished bronze
Handle:	standard or insignia style
# Potentiometer:	one or two
Panel keypad:	four (standard) or five

MODEL 6501



All Dimensions in inches (mm)



CUT-OUT DIMENSIONS