

Model 2094 Remote Control



This Remote Control is built entirely out of silicone bronze and stainless steel and will give you years of dependable service.

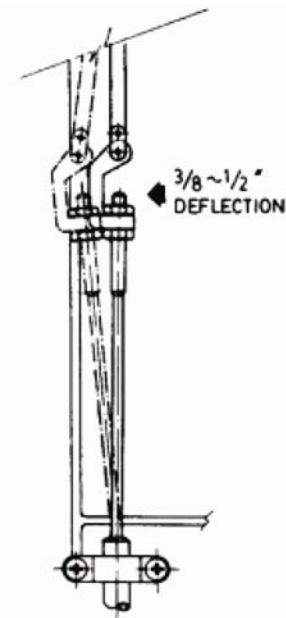
Installation Instructions:

The cable is attached with the clamps on the bottom of the supports of the control heads and the chain can be placed over the sprocket. When the control head is in the neutral position (handle in mid-position), the loose ends of the chain should be equal in length on either side of the sprocket.

The cable core is equipped with two nuts on either end. One of the nuts must be removed and the cable end can be passed through the adapter link. The nut can now be reinstalled.

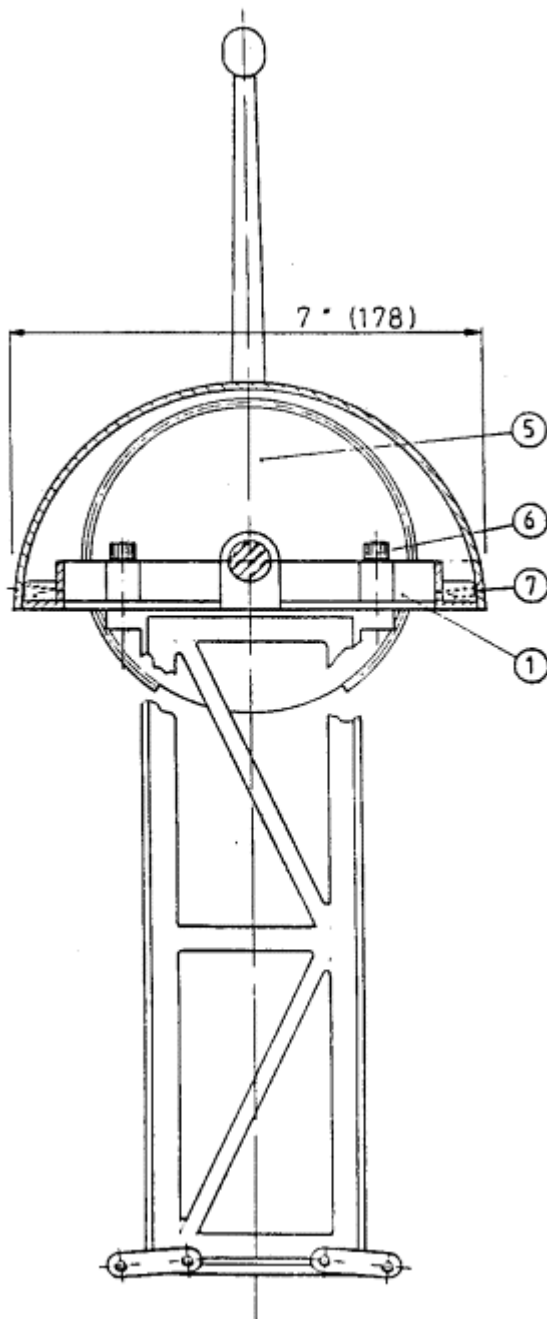
It is also important to remember that the cable must be crossed between the control heads in order to get the handles to move in the same direction. (The forward cable from the master station is attached on the aft side of the remote station and the forward cable of the remote station is attached to the aft side of the master station.) The cables have enough thread at the end to allow balancing of the handles at both stations. This is best accomplished by placing the master station in the neutral position (handle straight up).

The adjusting nuts at the end of the cable can now be tightened or loosened as required to balance the handles. Over tightening of the cable core will result in excessive friction and will make the control system very stiff and difficult to operate.

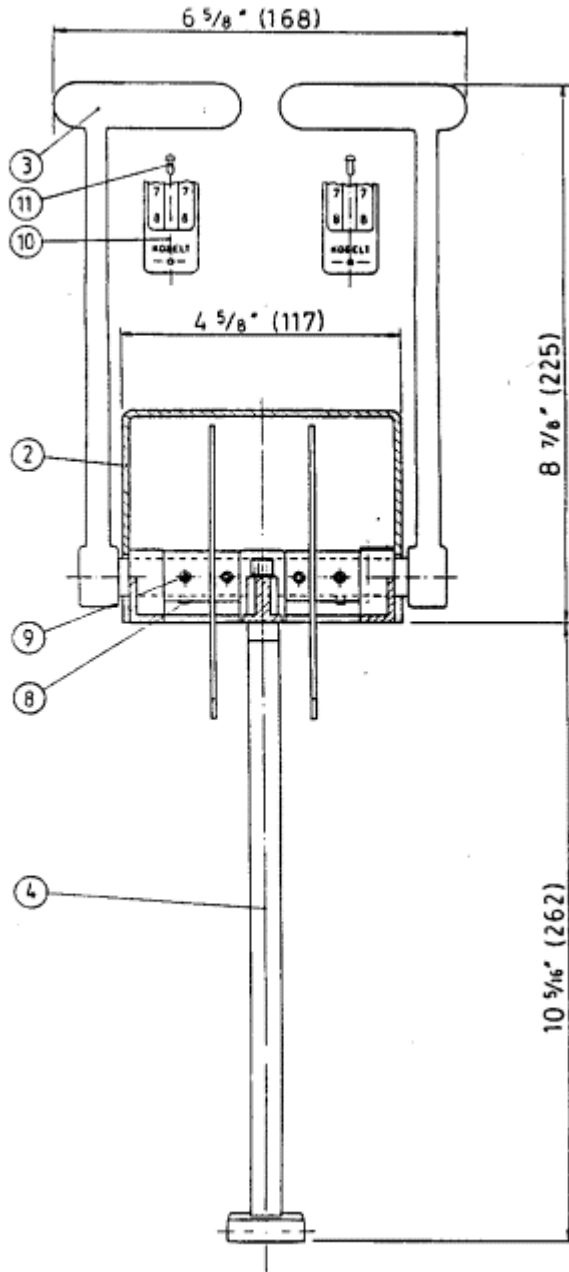


Dimensions and Parts

Side View



Front View



ALL DIMENSIONS IN INCHES (MM)

ITEM	QUANTITY	PART NUMBER	DESCRIPTION
1	1	2012-0001	Frame
2	1	2012-0002	Dome
3	2	2011-0003	Handle
4	1	2093-0001	Support
5	2	2093-0002	Sprocket
6	2	1002-1020	Socket Hd. Screw
7	2	1005-0808	Oval HD. Screw
8	2	1016-0804	Setscrew
9	4	1024-0816	Spring Pin
10	2	2050-0026	Label
11	4	1032-0304	Rivet

* Quantity may vary.

2094 "Cut-Out" Dimensions

