



## Model 2092 Two Station, Single Lever Control

The 2092 master control head features a pull-out handle for overriding throttle.

All models are entirely made of die-cast silicon bronze and stainless steel hardware and are backed up with our five-year warranty.

The maximum clutch stroke is 2 3/4" (70mm) and maximum throttle stroke is 2 3/4" (70mm). Various connection points provide the correct travel for your engine and gear.

The remote control head is Model **2094**.

### Ordering Information

#### Model Designations:

Model **2092** (master): J,K,L,M,U,Y,Z

#### Note:

Two cables per engine are required for interconnecting the master and remote station. These are 47 series Pull/Pull Cables and are available in one foot increments from 6 to 40 feet. Control heads include all necessary parts to attach cables from the master station to the remote station.

#### Example:

**2092-KYZ** is a Twin engine master control with chrome finish. T-bar handle and riveted label as shown.

Adapter kits to connect clutch and throttle cables to the master control are ordered as follows:

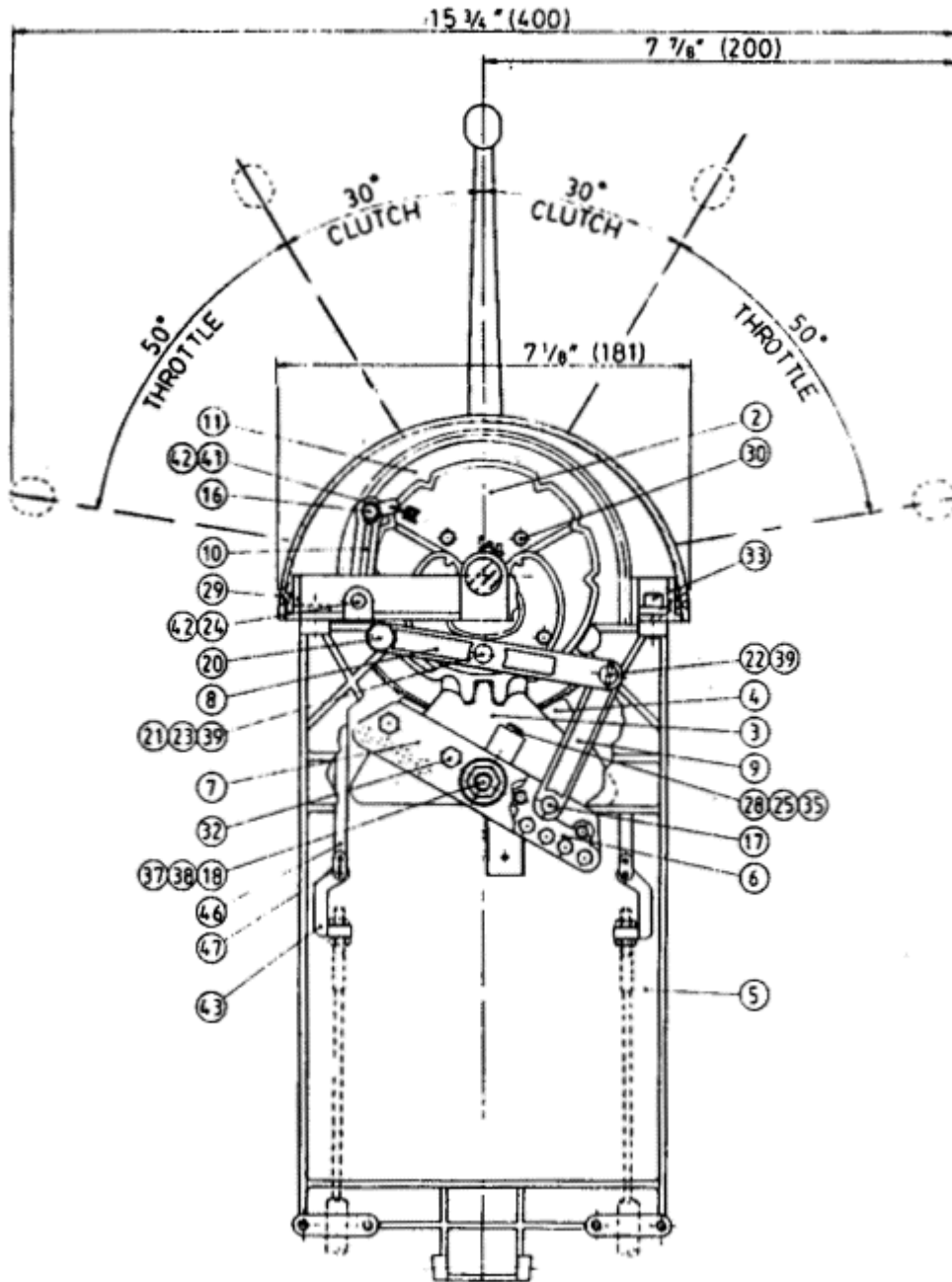
**Ordering Numbers**

2092 - 0901 for 30 series cables

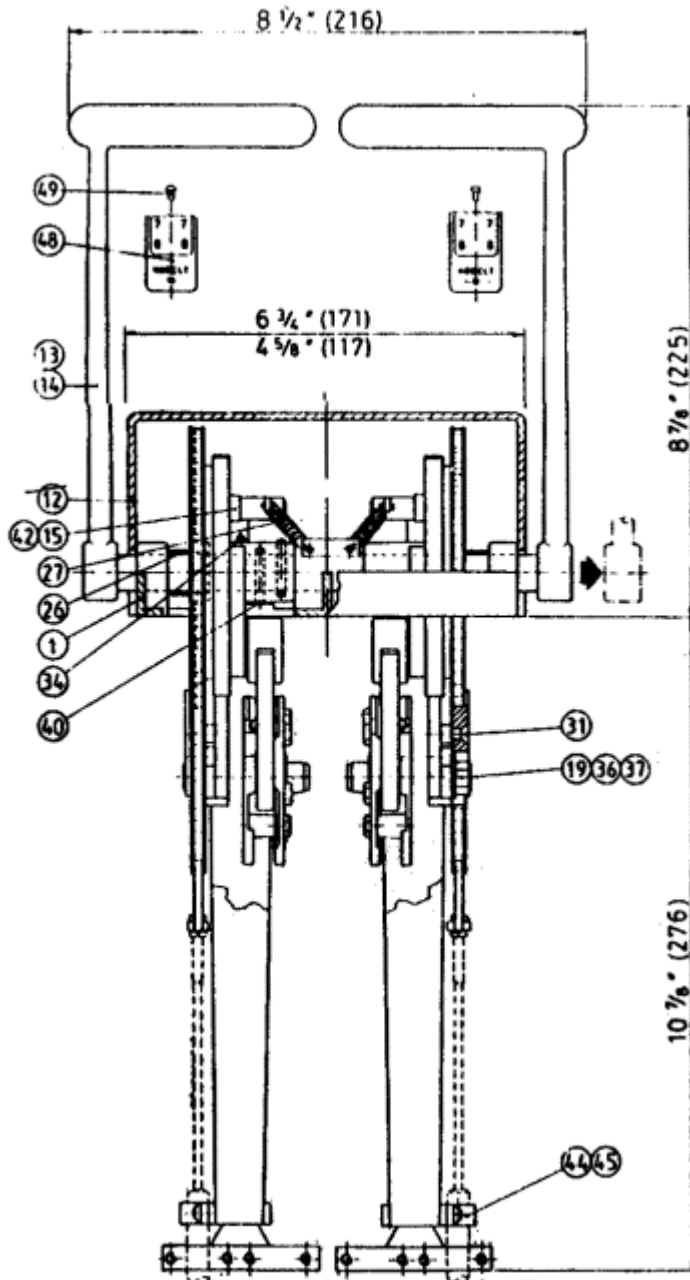
2092 - 0902 for 40 series cables

**Dimensions and Parts**

**Side View**



Front View



ALL DIMENSIONS IN INCHES (MM)

ITEM	QUANTITY	PART NUMBER	DESCRIPTION
1	1	2092-0001	Frame
2	2	2090-0002	Centre Cam
3	2	2090-0003	Clutch Pivot Plate
4	2	2090-0004	Retainer Plate
5	2	2090-0005	Support

Model 2092 Two Station, Single Lever Controls

ITEM	QUANTITY	PART NUMBER	DESCRIPTION
6	2	2090-0006	Throttle Pivot Plate
7	2	2090-0007	Retainer
8	2	2090-0008	Link No. 1
9	2	2090-0009	Link No. 2
10	2	2090-0010	Detent Lever
11	2	2090-0011	Chain Sprocket
12	1	2092-0002	Dome
13	2	2090-0019	Handle (T-Bar)
14	2	2090-0020	Handle (Curved)
15	2	2090-0013	Detent Roller
16	2	2090-0014	Snap Ring Pin
17	2	2090-0015	Pin
18	2	2046-0016	Throttle Bushing
19	2	2046-0017	Clutch Bushing
20	2	2046-0018	Shoulder Bolt
21	2	2046-0023	Pin
22	2	2046-0024	Pin
23	2	2046-0027	Throttle Roller
24	2	2090-0018	Snap Ring Pin
25	2	1201-0002	Spring
26	2	1201-0150	Spring
27	2	1202-0005	Spring
28	2	2542-0008	Friction Pad
29	2	1005-0808	Oval Hd. Screw
30	8	1009-0806	Flat Hd. Screw
31	6	1009-0808	Flat Hd. Screw
32	8	1001-0808	Hex Hd. Screw
33	8	1002-1008	Socket Hd. Screw
34	2	1016-0804	Set Screw
35	2	1016-1204	Set Screw
36	2	1001-1136	Hex Hd. Screw
37	4	1023-0238	Flat Washer
38	2	1022-0311	Locknut
39	4	1024-0508	Spring Pin
40	4	1024-0816	Spring Pin
41	2	1029-1025	Snap Ring
42	4	1029-2025	Snap Ring(Crescent Type)

\* Quantity may vary.

2092 "Cut-Out" Dimensions

